

ASSEMBLY INSTRUCTIONS FOR CLASSIC SOLO 'BSSX' BENCH

RECOMMENDED FIXING DISTANCES

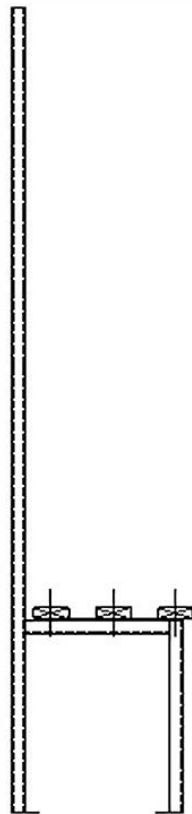
- 1M BENCH - 600MM BETWEEN UPRIGHTS
- 1.5M BENCH - 600MM BETWEEN UPRIGHTS
- 2M BENCH - 900MM BETWEEN UPRIGHTS
- 2.5M BENCH - 700MM BETWEEN UPRIGHTS
- 3M BENCH - 700MM BETWEEN UPRIGHTS

PLEASE NOTE

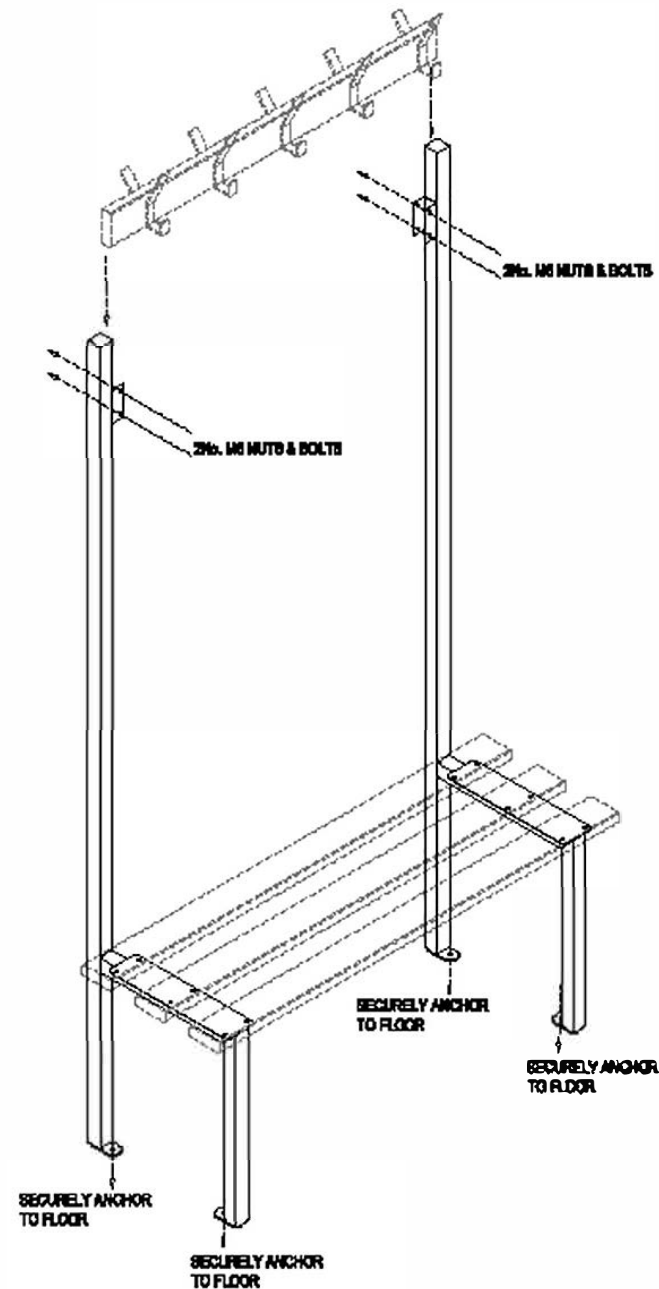
NO SEAT SLATS SHOULD BE UNSUPPORTED FOR MORE THAN 800MM

LEGENDARY BRACKETS INCLUDED WITH BENCH

- 1M BENCH - 2No.
- 1.5M BENCH - 3No.
- 2M BENCH - 3No.
- 2.5M BENCH - 4No.
- 3M BENCH - 4No.



PLEASE ENSURE CENTRE OF
SLATS LINE UP WITH
PRE-DRILLED HOLES AS
INDICATED TO LEFT



© COPYRIGHT ESE Direct Ltd
No unauthorized disclosure, reproduction or manufacture of
details or product permitted without prior written consent.

βenchura

Wensum Works, 150 Northumberland Street, Norwich, NR2 4EE
Tel: (01603) 628858 Fax: (01603) 630113
www.classicbenching.co.uk

